

# ORC TECHNOLOGY HEAT RECOVERY SYSTEM

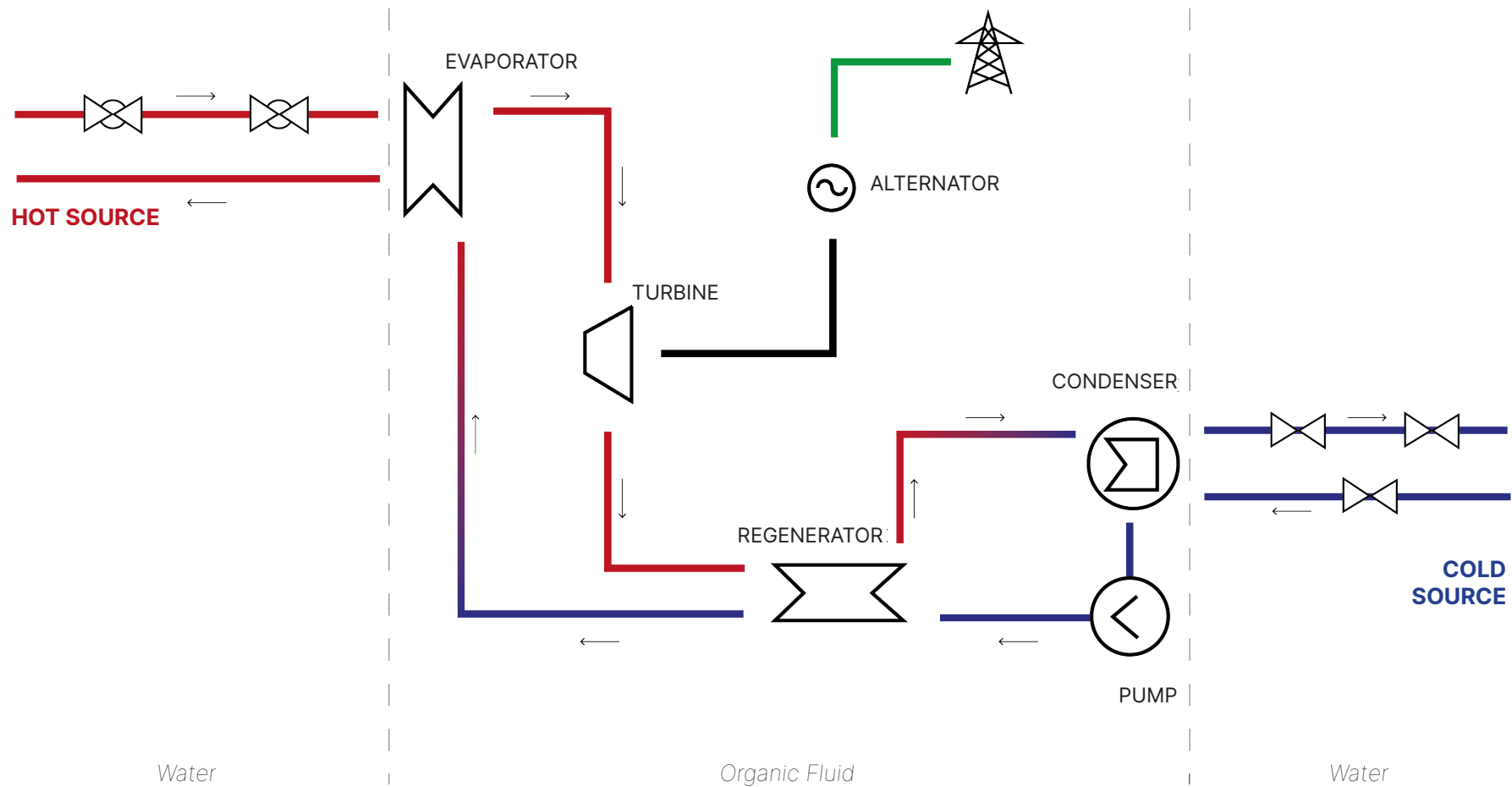
---

## FLARING



Zuccato Energia Srl - Via della Consortia 2 – Verona – Italia  
info@zuccatoenergia.it - [www.zuccatoenergia.it](http://www.zuccatoenergia.it)

# PRINCIPLE OF OPERATION



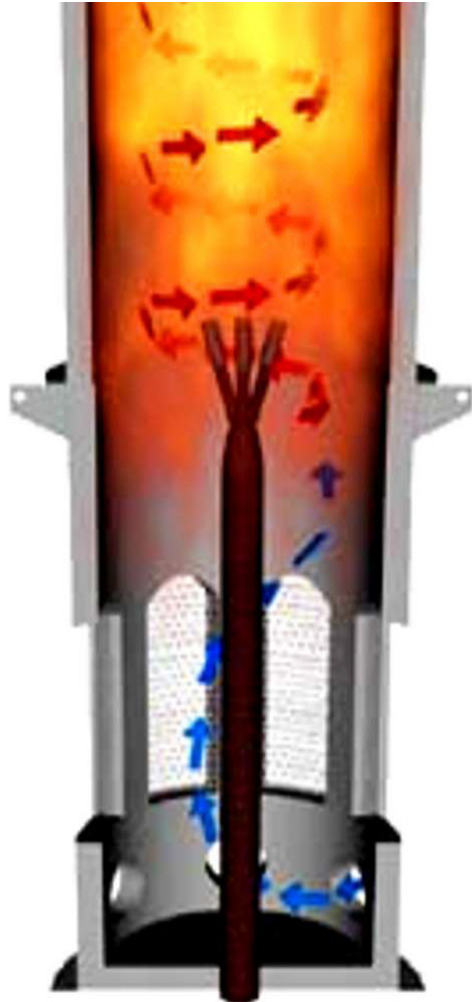
# APPLICATION

*FLARING SYSTEMS AND  
INCINERATORS OF  
WASTED GASES*

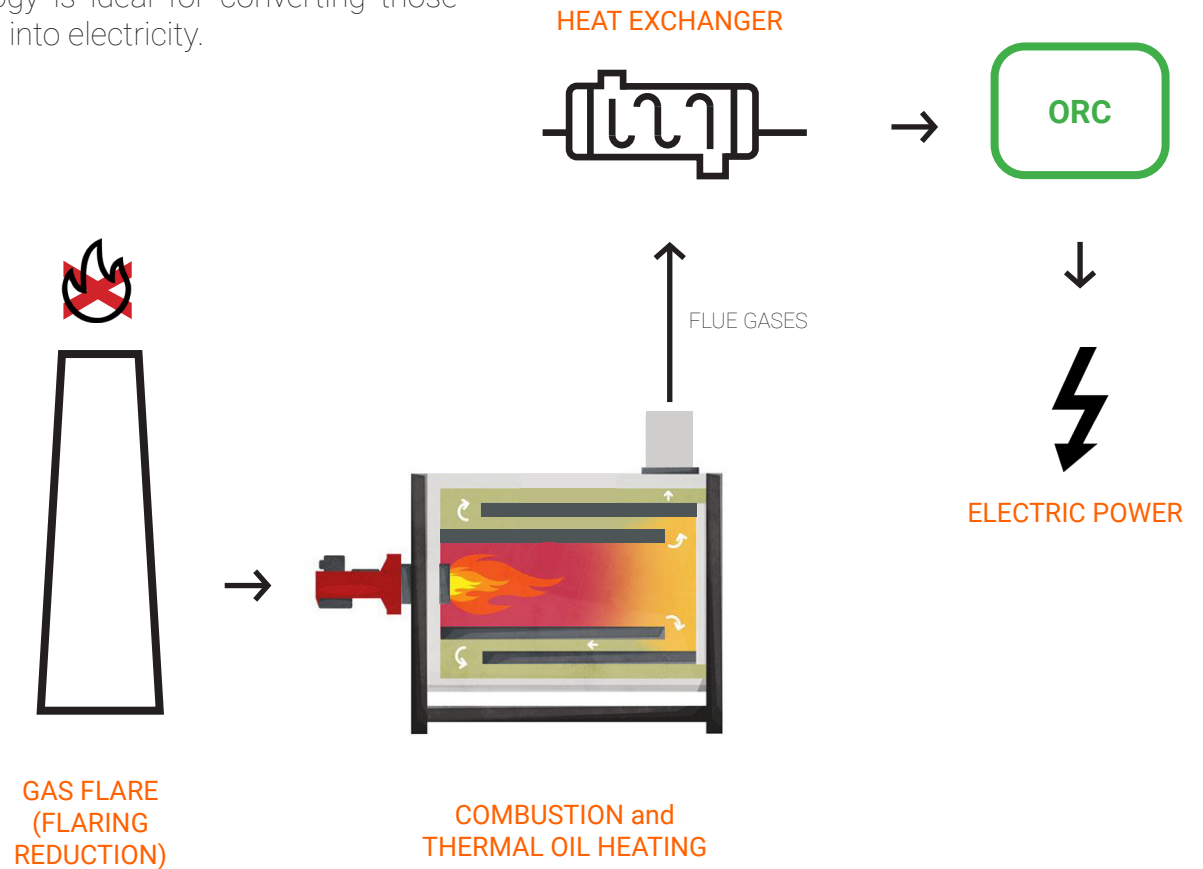


# FLARING

## HOW IT WORKS



Wasted gases are inevitably produced during the oil extraction operations. These gases must be burned using either appropriate torches or incinerators. ORC technology is ideal for converting those wasted gases into electricity.



# ORC MODULE

ULH SERIES



\*Outdoor solution

Solution to exploit **low-temperature thermal sources**.

Available in a power range **from 30 to 100 kWe**.

Thermal Energy Input	350 - 1200 kWt
Electric Power Output	30 - 100 kWe
System Efficiency	8,50 - 9,10 %
Weight (incl. working fluid)	~3.100 - 6.500 Kg
Interfaces	Hot water ( $\geq 94^{\circ}\text{C}$ )

LT SERIES



\*Indoor solution

Solution for **small-scale primary power generation**.

Available in a wide range of models ranging **from 75 to 550 kWe**.

Thermal Energy Input	550 - 3500 kWt
Electric Power Output	75 - 561 kWe
System Efficiency	13,60 - 16,00 %
Weight (incl. working fluid)	~4.000 - 21.500 Kg
Interfaces	Pressurized Water ( $\geq 160^{\circ}\text{C}$ )

# REFERENCE



Combustor



Entire installation

**ZE-200-LT**

Nominal output 200 kWe

Mexico



ORC entire installation



ORC System



Via della Consortia, 2 – Verona  
Tel +39 045 83 78 570  
Email: [info@zuccatoenergia.it](mailto:info@zuccatoenergia.it)

